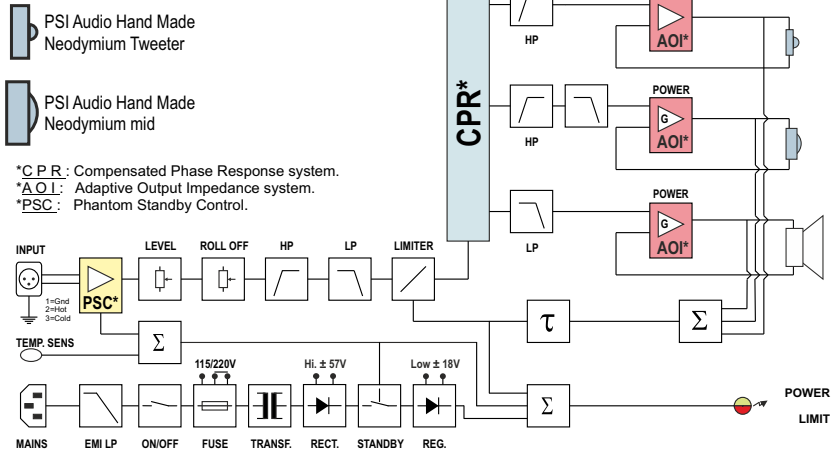
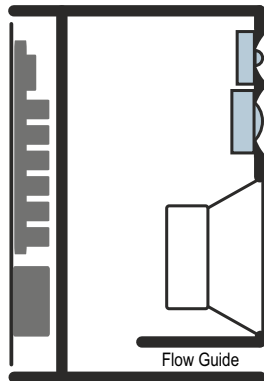


Technical data sheet

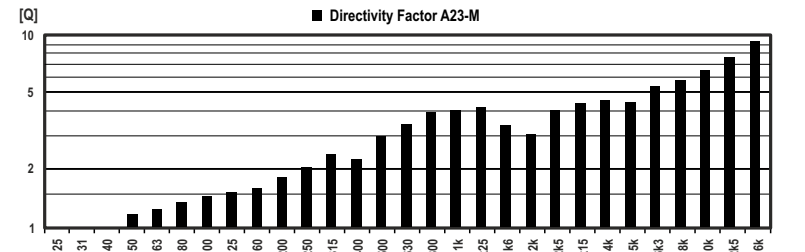
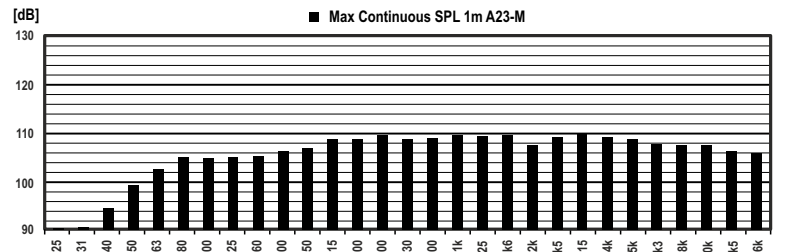
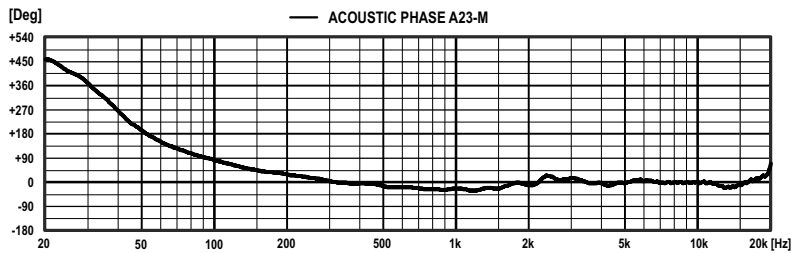
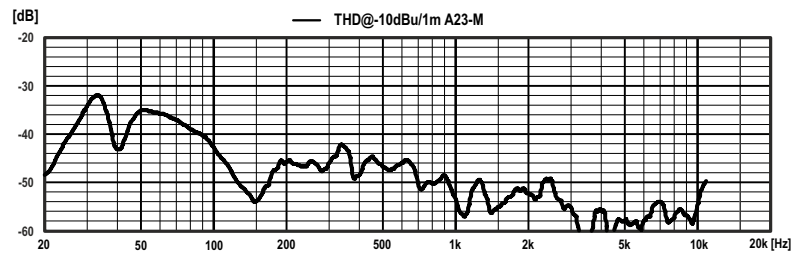
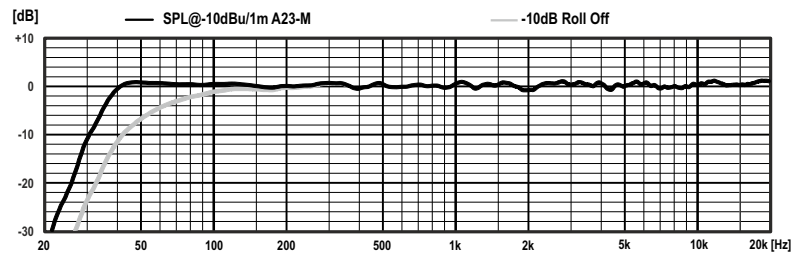
PSI AUDIO

A23-M

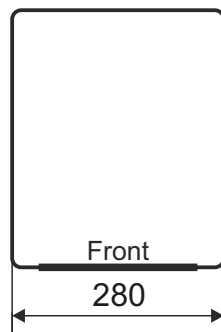
All measurements in anechoic room
acoustical axis at 1 meter



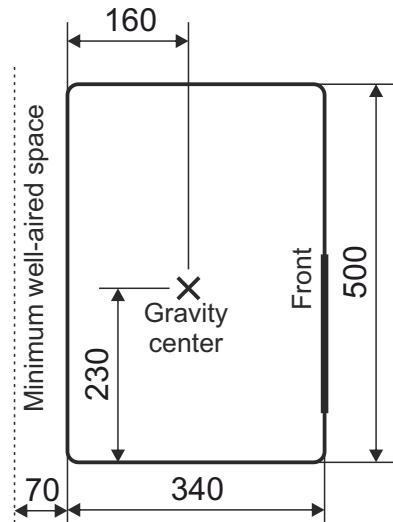
- Puissance RMS **140+70+50 W**
- RMS Power
- Puissance programme **260 W**
- Program Power
- Impédance d'entrée **Sym, 10k Ohms**
- Input Impedance
- Sensibilité pour 100 dB @ 1m **0.775 V**
- Sensitivity for 100 dB @ 1m
- Bruit propre, 1m, champ libre **8 dBA**
- Self-Generated Noise, 1m, Free Space
- Saturation d'entrée **24 Vpp / 20.7 dBu**
- Input Overload
- Niveau max. continu (single), 1m **109 dB**
- Continuous Max SPL (single), 1m
- Niveau max. programme (pair), 1m **120 dB / peak 123 dB**
- Program Max SPL (pair), 1m
- Réponse à -6 dB **34 - 23000 Hz**
- Response at -6dB
- Tolérances **±1.5 dB (39Hz - 20kHz)**
- Tolerances
- Distorsions THD **< 1% (100Hz-20kHz)**
- Distortion THD
- Tolérances de phase **±45° (220Hz - 20kHz)**
- Phase Tolerances
- Dispersion (B.R. 4 - 16 kHz) à -6 dB **90° x 80° (H x V)**
- Dispersion (P.N. 4 - 16 kHz) at -6 dB
- Système **3 Way(s)**
- System
- Fréquence de coupure **620Hz, 3.2kHz**
- Crossover Frequency
- Dim. basse ext. / membrane **Ø 210 mm / Ø 170 mm**
- Woofer's Dim. Ext. / Diaphragm
- Dim. medium ext. / membrane **Ø 120 mm / Ø 56 mm**
- Medium's Dim. Ext. / Diaphragm
- Dim. aigue ext. / membrane **Ø 100 mm / Ø 25 mm**
- Tweeter's Dim. Ext. / Diaphragm
- Connecteurs **1 x XLR F / 3P**
- Connectors
- Entrée du signal **1=GND, 2=(+), 3=(-)**
- Signal Input
- Matériaux du boîtier **MDF**
- Box Material
- Dimensions du boîtier L x H x P mm **280 x 500 x 340**
- Cabinet Dimensions W x H x D mm
- Poids brut / net **18.0 / 20.2 Kg**
- Gross / Net Weight
- Tension de secteur **115/230V±10%(50-60Hz)**
- Voltage
- Consommation **1.8 - 8 - 200 W**
- Consumption Standby-Idle-Max
- Humidité moy / max **< 75% / < 90%**
- Mean / Max Humidity
- Température externe **5 - 40 °C**
- External Temperature



Mounting



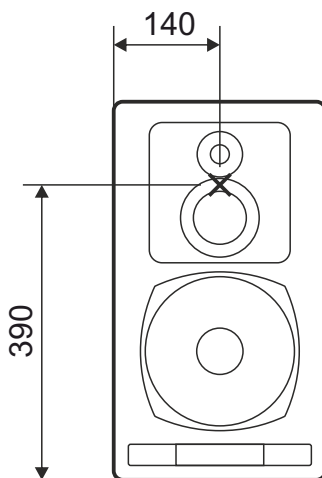
Bottom view



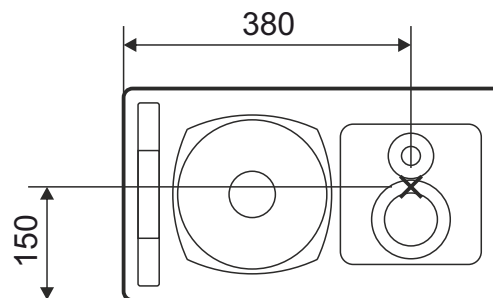
Side view

Refer to user manual for information about installation and safety instructions

Acoustical axis



Front view



Mid/High baffle orientation

As mentioned on the drawing here above, you can change the orientation of the mid/high baffle. Before this change, the power cable must not be connected. Be sure that this operation does not cause any short-circuit to the connections of the baffle.

Measurement environment: Large anechoical room
 Temperature $23 \pm 2^\circ\text{C}$
 Humidity $50 \pm 20\%$